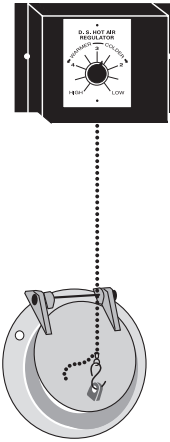




To strive to make the most competitive and highest quality products available. Traditional craftsmanship defines each product from wood and anthracite cookstoves to custom metal fabrication. With a goal of high efficiency and low maintenance, DS products are built to last a lifetime. With four divisions, Stove Manufacturing, Retail, Wholesale, and Custom Fabrication, DS strives for excellence in everything they produce.

### DS HOT AIR DRAFT REGULATOR

The DS Regulator is not electrical. It uses two different metals bonded together. The metals expand and contract based on temperature, directing the heat to where it is needed. Mounted directly on the hot surface of the stove, it governs the temperature by opening or closing the draft control. This draft control connects to a specially designed draft intake through which air can enter to increase or decrease the temperature of the fire. The DS Regulator is equipped with a 5-position mechanical control dial.



## Anthra-Max Fireplace Insert

Model #FP16

### Which DS product is right for you?

	First Floor	Basement	Whole Home	Forced Hot Air	Anthracite	Wood	Gas	Freestanding Unit	Hot Water Heating	Greenhouse / Shop
Anthra-Max	•	•	•		•			•		
Anthra-Max Fireplace Insert	•	•	•	•						
Anthra-Glo	•	•	•	•				•		
Aqua-Gem Boilers #1100, 3200, 4200		•	•	•				•	•	•
Aqua-Stoke		•	•	•				•	•	•
Comfort Max	•	•	•	•				•		
Ecomiser		•	•	•	•			•		•
EnergyMax #ND110	•	•	•	•				•		
EnergyMax #ND160		•	•	•				•		•
Gas Boiler		•	•				•	•	•	•
Gas Furnace		•	•				•	•	•	•
GH Blast				•	•			•		•
HeatRight		•	•	•				•		
HECO Cookstove	•		•	•	•	•		•		
Kozy-King		•	•	•	•			•		•
Power Boilers #5000, 6000, 7000				•	•			•	•	•
Stoker Furnace		•	•	•				•	•	•

### Things To Consider When Purchasing

Anthra-Max Fireplace Insert..... \_\_\_\_\_

Standard Surround..... \_\_\_\_\_

Oversized Surround..... \_\_\_\_\_

Front Loading Baffle..... \_\_\_\_\_

CO & Smoke Alarm..... \_\_\_\_\_

\_\_\_\_\_ ft. SS Chimney Relining Kit... \_\_\_\_\_

Subtotal \_\_\_\_\_

Tax \_\_\_\_\_

Total \_\_\_\_\_

DS2024  
Prices are subject to change without notification

Authorized Dealer





# The Warm Embrace Of Home

Efficiency and function is the focus of the FP16. Designed to be installed into an existing masonry or factory built fireplace, the FP16 enhances the look of your room and heats large spaces without breaking a sweat!

## FEATURES

- Burns Anthracite
- DS Hot Air Draft Regulator
- Easy Liner Attachment From Inside Fire Box
- Reburn Baffle System
- Front Loading Option
- Large Glass View w/ Airwash
- Airtight Cast Iron Doors
- Superior Cast Iron Shaker Grates
- Dust-Free Exterior Shaker Handle
- Removable Firebrick Retainers
- Gravity Fed Hopper
- Extra Wide Ash Pan
- Constructed From Heavy Plate Steel
- Manufactured In Lancaster County, PA

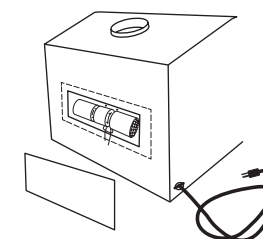
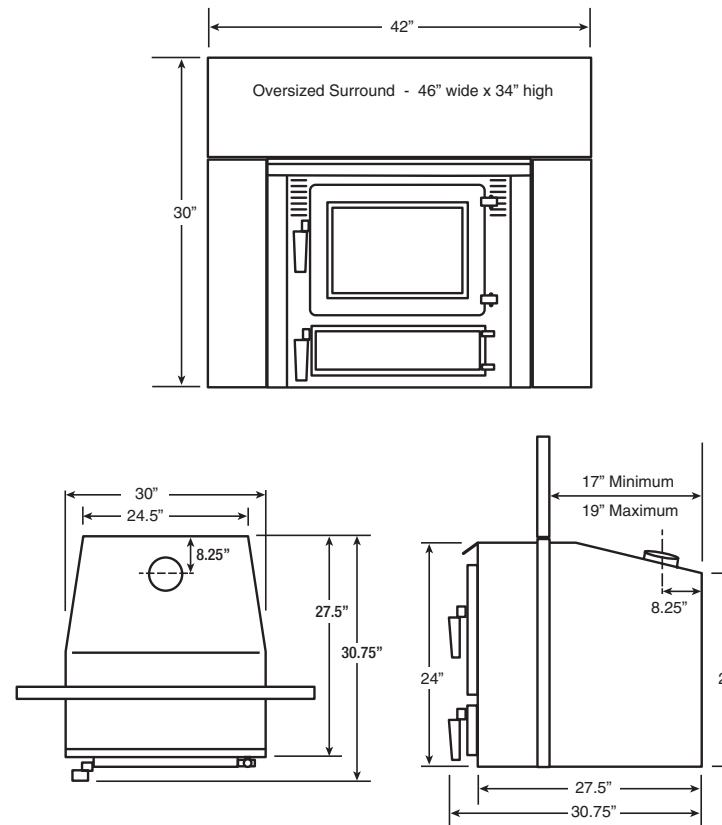


## SPECIFICATIONS

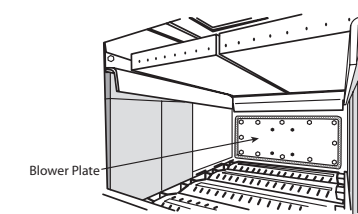
Model Number	FP16
Fuel	Anthracite
Heating Area (Recommended)	1,000 - 2,000 sq. ft.
BTU (Approx)	105,000
Efficiency	82.8%
Fire Box (WxDxH)	16" x 18" x 11"
Fire Box Height To Hopper	9.5"
Fire Box Volume	1.8 cu. ft.
Fire Door (WxH)	18.25" x 11.75"
Ash Pan (WxDxH)	15" x 20" x 2.5"
Ash Door (WxH)	19" x 5.25"
Hopper Capacity	20 lbs.
Total Capacity w/ Hopper	80 lbs.
Hopper Door (WxD)	8.75" x 7.5"
Top Exhaust	6"
Vari-Speed Blower Max CFM	220
Overall Size (WxDxH)	30" x 27.5" x 24"
Weight	480 lbs.
U.L. Tested*	Yes
Warranty	5 Year Limited

All units require a Class "A" all fuel chimney.  
 Installation must conform to state and local codes.  
 \* Safety Tested to UL #1482, ULC #S628, and ETLM 78-1

## FP16 MEASUREMENTS



Power cord can be left or right side of insert

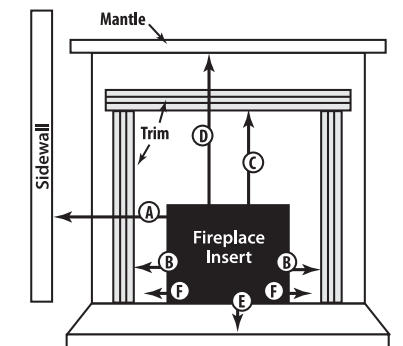


Blower accessible from inside the firebox

## CLEARANCE REQUIREMENTS

1. Insert must be installed in an existing masonry or factory built fireplace. Maintaining all clearance to combustibles
2. Insert must be installed on a noncombustible surface.
3. Locate and read clearance to combustibles in manual before installing unit. The most important consideration in installing your insert is adequate clearance between the insert and any combustible surface. An insert that is located too close to a mantel, trim, furniture or any combustible materials may cause a fire.
4. A noncombustible base must extend at least 16" beyond front of insert and 8" beyond each side of load and ash doors.
5. Do not connect this unit to a chimney flue servicing other appliances. A "6" Class A" chimney liner must extend from insert to top of chimney. It is recommended to wrap liner with foil faced insulation to enhance performance of chimney.

## MINIMUM CLEARANCES TO COMBUSTIBLE MATERIALS



- |                                   |  |
|-----------------------------------|--|
| A. Unit to Sidewall – 10"         | D. Unit to Mantle – 30"                    |
| B. Unit to Right Side Facing – 9" | E. Floor Protection in front of door – 16" |
| B. Unit to Left Side Facing – 9"  | F. Floor Protection each side of door – 8" |
| C. Unit to Top Facing – 25"       |  |